

Steel Control Damper • 6" Single Thickness Blades • Parallel (GD1) or Opposed (GD2) • 200°F Max Temperature

STANDARD CONSTRUCTION

- FRAME:** 5½" x 7⁄8" x 16 GA. galvanized steel hat channel.
16 GA. galvanized steel flat head and sill.
- BLADE:** 16 GA. galvanized steel, 6" (nominal) width.
- AXLES:** Plated steel stub.
- BEARINGS:** Heavy duty molded nylon.
- LINKAGE:** Plated steel angle and crank plates with stainless steel pivots, in-jamb type
- STOPS:** 18 GA. galvanized steel angles at head and sill.
- ACTUATOR:** ½" dia. removable extended shaft for single and double wide units. On triple wide or larger panel units without jackshafting, blade brackets will be standard for external actuator installation.
- FINISH:** Mill.

OPTIONS

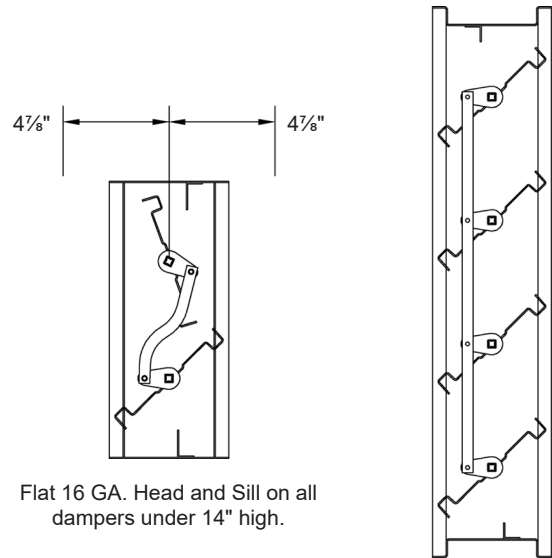
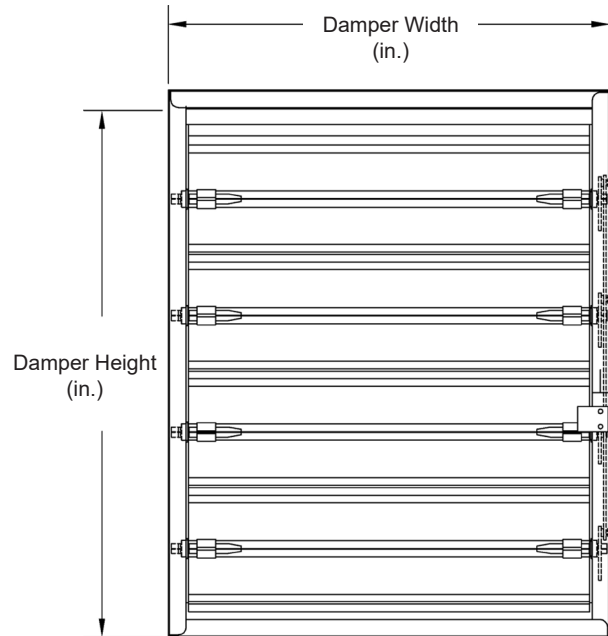
- Exact Sizing
- Face/Bypass - Vertical, Horizontal, or Perpendicular
- Sleeve - Transition - Sideplate
- Material - 304 Stainless Steel
- Vertical Blade Orientation
- Flange Frame - On front, on rear, or on both sides
- Blade Seals - Vinyl or Silicone
- Jamb Seals - Stainless Steel
- Actuators - Manual Quadrants, 120V, 24V, and 230V Electric, or Pneumatic
- Position Indication Switch - PK1200, Small Aux Switch, or Integral to Actuator
- Bearings - OIB or Stainless Steel
- Axle - Stainless Steel
- Transformers
- Explosion Proof Housing
- Pilot Positioner
- Copper Tubing
- Tab-Lock Retaining Angles - 1 or 2 Sets
- Security Bars
- Jackshafting

NOTES

1. Nominal deductions will be made to the opening size given.
2. Multiple-panel units are shipped with the panels factory-assembled, to a maximum of 48ft². When jackshafting is designated, it will be installed. Please note if individual damper panels should be shipped loose.
3. Dampers with multiple panels in both width and height require structural support (by others). It is recommended that large openings be divided with structural members such that dampers will span either the width or height of each opening between the structural members with a single panel.
4. This damper is designed to operate in a clean, dry environment. For proper operation, dampers must be installed square, plumb, and without racking.
5. Approximate shipping weight is 5.5 lbs./sq.ft.

DAMPER SIZES

Panels	Min Panel	Max Single Panel
Parallel Blade	6"W x 6"H	48"W x 72"H
Opposed Blade	6"W x 11"H	48"W x 72"H



Parallel Blades

Not to scale.

Item #	Qty	Damper Size		Parallel Blades	Opposed Blades	Seals	Actuator Model	Act. Location		Function		Union Made
		Width	Height					Interior	Exterior	N.C.	N.O.	
Arch. / Eng.:						EDR:		ECN:		Job:		
Contractor:												
Project:						Date:		DWN:		DWG:		

In the interest of product development, Louvers & Dampers reserves the right to make changes without notice.

Steel Control Damper • 6" Single Thickness Blades • Parallel (GD1) or Opposed (GD2) • 200°F Max Temperature

OPERATIONAL RATING

Maximum Differential Pressure: 4 in.wg (1000 Pa)
 Maximum Face Velocity: 2000 fpm (10 m/s)

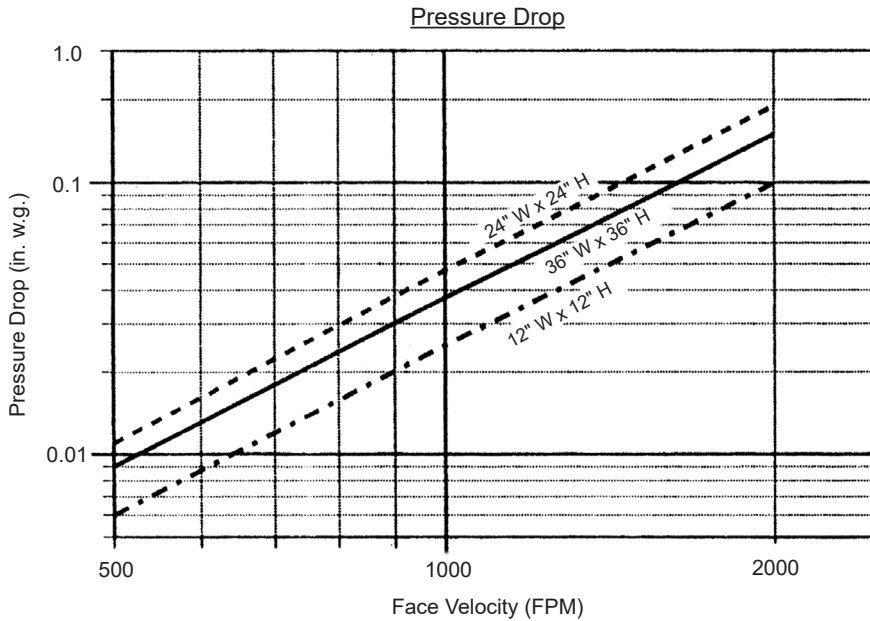
LEAKAGE RATING

Leakage with optional seals (vinyl on blade edges and stainless steel on jamb) shall not exceed 4.0 CFM per sq.ft. at 1 in.wg differential pressure and a temperature of 70°F, with a minimum of 0.85 in. lbs. of torque applied to the damper shaft. Data is based on a 48"W x 48"H sample tested in accordance with AMCA Standard 500, figure 5.4 or 5.5.

Values shown are derived from tests performed in accordance with AMCA Standard 500 and are stated in SCFM at 1 in.wg. For leakage values at greater pressures, use the conversion factors in the table below.

Conversion Factors

Pressure (in. w.g.)	Conversion Factor
2	1.41
3	1.75
4	2.00



Tested per AMCA Standard 500-D; Figure 5.3 (In-Duct Mount)